

# SCHEDA TECNICA / TECHNICAL SPECIFICATION



## MISURE / DIMENSIONS

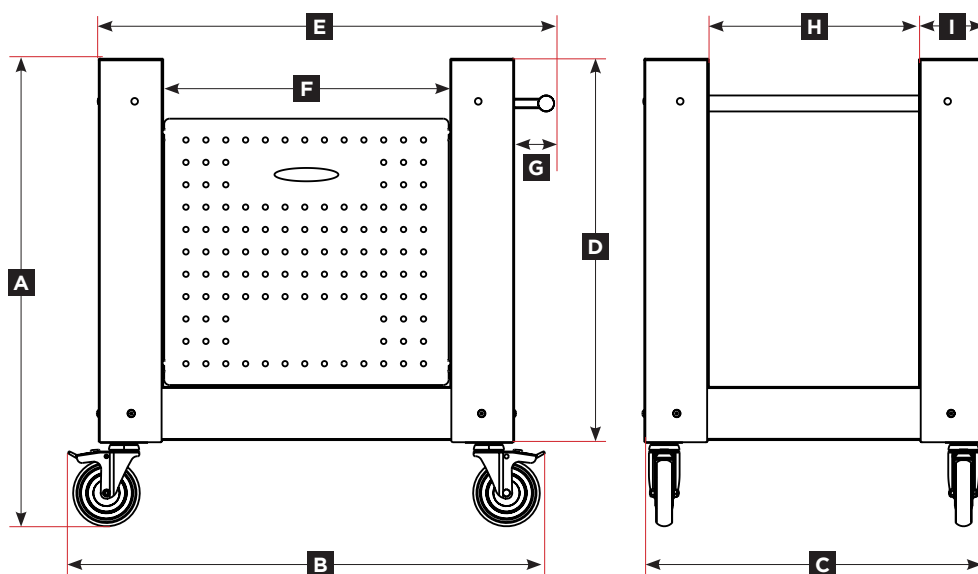
### BASE

5MINUTI OVEN

 **BF-5MINUTI RAM**

 **BF-5MINUTI NER**

<b>A</b>	87.8 cm - 34.6 in	<b>F</b>	53.9 cm - 21.2 in
<b>B</b>	91.3 cm - 35.9 in	<b>G</b>	7.7 cm - 3 in
<b>C</b>	63.7 cm - 25 in	<b>H</b>	39.5 cm - 15.5 in
<b>D</b>	71.6 cm - 28.2 in	<b>I</b>	12.1 cm - 4.7 in
<b>E</b>	85.2 cm - 33.5 in		



## CARATTERISTICHE TECNICHE / TECHNICAL DETAILS

**Peso**  
*Weight*

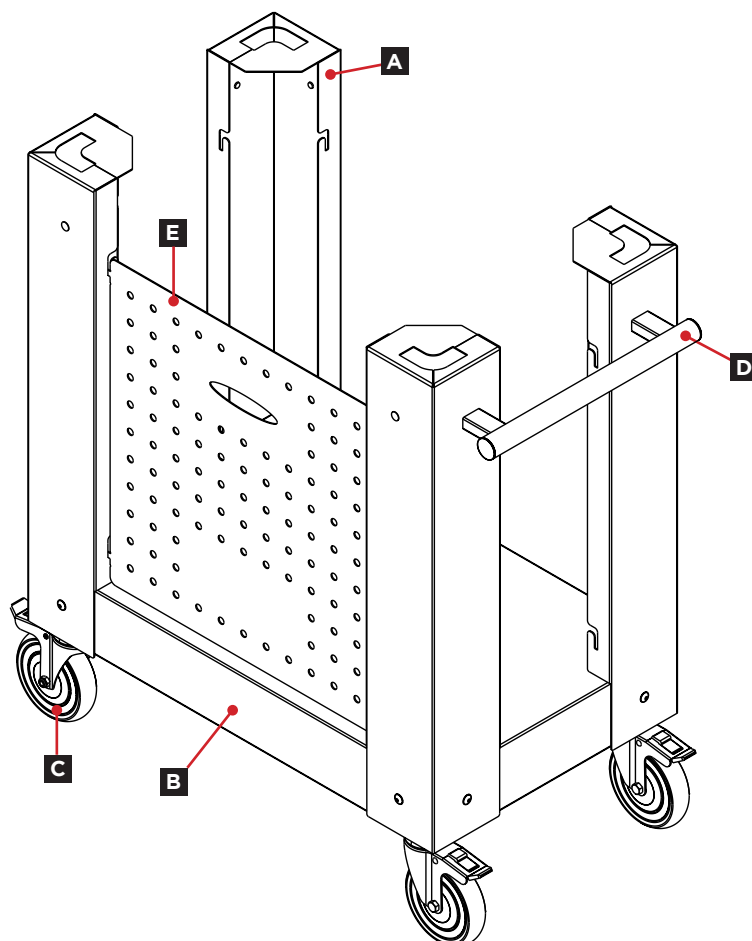
29 kg  
64 lbs

**Materiali utilizzati**  
*Used material*

lamiera ferro, acciaio inox  
*iron sheet, stainless steel*

## COMPONENTI / PARTS LIST

	CODE	N°	DESCRIPTION
<b>A</b>	BAS-2-12012	4	<b>Leg</b> - Gamba
<b>B</b>	BAS-2-1201	1	<b>Shelf</b> - Ripiano
<b>C</b>	D14RU-125FRGN	4	<b>Wheel</b> - Ruota
<b>D</b>	D14MAN-37821	1	<b>Handle</b> - Maniglia
<b>E</b>	SML-3-1201	1	<b>Panel</b> - Pannello



WATCH THE VIDEO, SCAN THE QR CODE  
[alfaforni.com/alfa-base.php](http://alfaforni.com/alfa-base.php)

