

ALFA



CIAO

LEGNA - WOOD

YELLOW
FXCM-LGIA

SILVER GREY
FXCM-LGRI



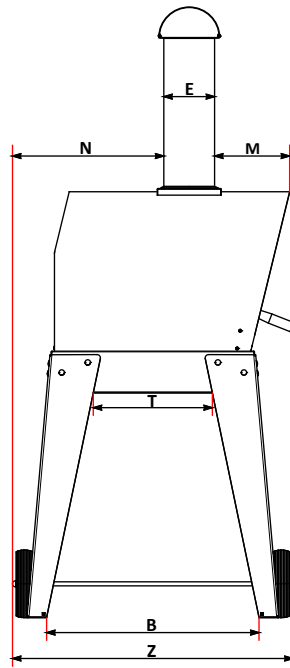
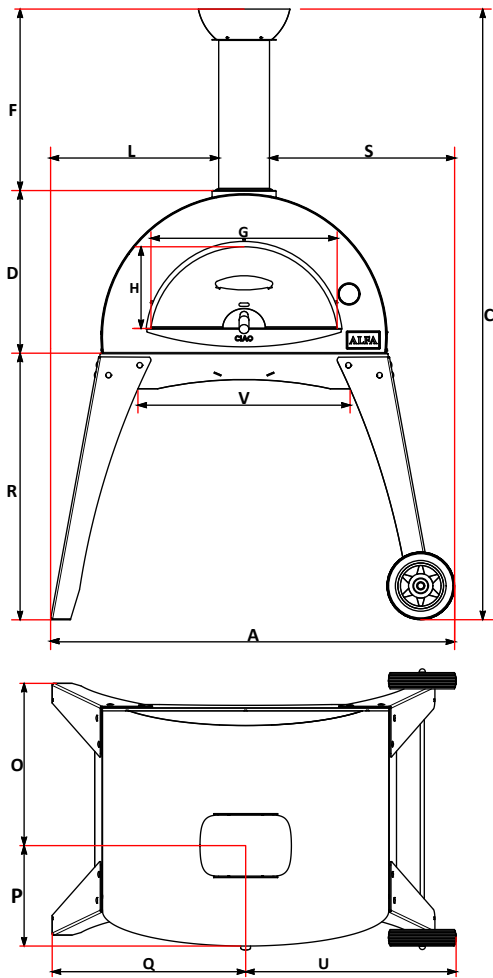
conforme a UNI 10474 e EN 13229
UNI 10474 and EN 13229 compliant



CARATTERISTICHE TECNICHE - TECHNICAL DETAILS

Peso <i>Weight</i>	95 kg 209 lbs	Materiali utilizzati <i>Used material</i>	lamiera ferro. acciaio inox. fibra ceramica <i>iron sheet. stainless steel. ceramic fiber</i>
Area piano forno <i>Oven floor area</i>	0.28 m ² 3 ft ²	Tipo di refrattario <i>Type of refractory</i>	Tavella silico-alluminoso <i>Alumina silicate bricks</i>
Dim. piano forno <i>Oven floor dim.</i>	70 x 40 cm 27.5 x 15.7 in	Combustibile consigliato <i>Recommended fuel</i>	Ciocchi diam. Max 5 cm. potature <i>Max 1.9 In diam. logs. trimmings</i>
Minuti per scaldare <i>Heating time (min)</i>	15	Carica nominale <i>Rated charge</i>	6.9 kg/h 15.2 Lbs/h
N° pizze alla volta <i>Pizza capacity</i>	2	Tiraggio minimo <i>Minimum flue draught</i>	10 Pa
Infornata di pane <i>Bread capacity</i>	2 kg 4.4 lbs	Flusso volumetrico fumi <i>Flue smokes mass flow</i>	57.7 g/s
Temperatura massima <i>Max oven temperature</i>	500°C 1000°F	Emissioni CO al 13% O₂ <i>CO emission at 13% O₂</i>	0.31% 3843 mg/Nm ³
Consumo medio <i>Average fuel consumption</i>	2.5 kg/h 5.5 lbs/h	Temperatura fumi <i>Smoke temperature</i>	395°C 743°F

MISURE - DIMENSIONS



A	119 cm 46.9 in	N	44.7 cm 17.6 in
B	63 cm 24.8 in	O	47.7 cm 18.8 in
C	180 cm 70.9 in	P	29.9 cm 11.8 in
D	48 cm 18.9 in	Q	57.1 cm 22.5 in
E	15 cm 5.9 in	R	78.7 cm 31 in
F	53.6 cm 21.1 in	S	54.7 cm 21.5 in
G	55 cm 21.7 in	T	35.2 cm 11 in
H	25.9 cm 10.2 in	U	62.2 cm 24.5 in
L	49.7 cm 19.6 in	V	62.7 cm 24.7 in
M	22.2 cm 8.7 in	Z	83 cm 32.7 in

PARTI DI RICAMBIO - SPARE PARTS

Descrizione Description		Codice Code
Comignolo Chimney cap	A	SPZP_01_024
Canna fumaria Chimney	B	TI150_500_SAT
Ruote Wheels	C	CEEA20000
Asta collegamento ruote Wheel connection	D	D17TIR-815GR
Sportello Door	G	SSML_01_0150
Flangia Flange	H	SPZP_01_050
Carter esterno External shell	I	SCRT-01-028-GIA
Carter esterno External shell	I	SCRT-01-028-GRI
Termometro Thermometer	J	YT63-135
Mattoni 40x20 cm Red bricks 40x20 cm	K	RRA-4020
Mattoni 50x20 cm Red bricks 50x20 cm	K	RRA-5020
Gasbeton	L	D10GASB-D300
Logo Alfa (v1.0)	N	D14PLAC-ALFA
Archetto Arch	Q	SSML-01-048-GR
Davanzale Sill	R	SSML-01-049
Vasca camera Steel tub	S	SCMB-01-028
Gamba anteriore sinistro Left front leg	T	SPZP_01-052
Piede posteriore sinistro Left rear leg	U	SPZP_01-051
Piede anteriore destro Right front leg	V	SPZP_01-028
Piede posteriore destro Right rear leg	Z	SPZP_01-045

